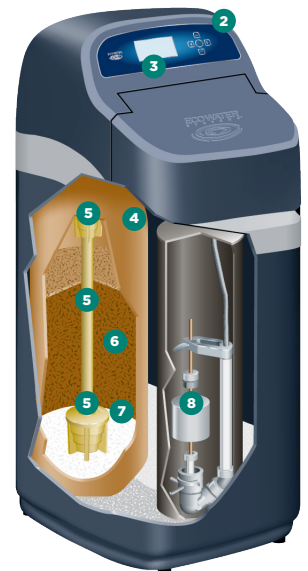


Let us
Perfect
your water and
Maximize
your peace of mind.

300 ECOWATER COMPACT WATER CONDITIONER

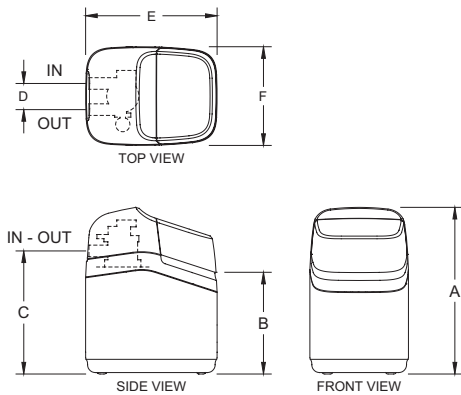
The Latest Technology for Water Treatment

- 1 HydroLink Plus[®] Wi-Fi and Smartphone App Monitoring**
HydroLink Plus[®] - Wi-Fi enabled technology sends alerts: continuous and excessive water use, system error, low salt and service reminders; further, it notifies you when an excessive amount of water is going to drain.
Water Meter
Allows for chemical feed dosing, flow switch operation and water use information.
- 2 Patented Electronics Digital Demand Module**
Sophisticated, yet easy-to-use electronics capture historical usage patterns to predict future needs for precise regenerations.
- 3 High Quality Fit and Finish with Dampened Hinge Salt Cover**
- 4 Multi-Wrap Fiberglass Reinforced Resin Tank**
Durable tank liner will not deteriorate, rust, or corrode.
- 5 Full One-Inch Riser with Self-Cleaning Distributors**
One-inch diameter for increased flow rates, which ensures that household demand is adequately met. Distributors exhibit excellent flow rates and are cleaned automatically by counter-current water pressure.
- 6 Patented Stratified Resin Bed**
Layered mix of fine and standard size resin provides superior filtration and iron removal without sacrificing flow rate capability.
- 7 Washed Quartz Underbedding**
Helps provide a cleaner, more thorough regeneration of the resin.
- 8 Positive-Action Brine Valve**
Snap-together construction eliminates use of solvents that may contaminate water. Positive action helps prevent overfilling.
Automatic Salt-Level Detection and Tank Light
Simply add salt, no salt level setting required. Our integrated sensor will detect the salt level and alert you when the salt level is low.



300 ECOWATER COMPACT WATER CONDITIONER

DIMENSIONS



300 COMPACT WATER CONDITIONER

Nominal Resin Tank Size	8" Dia. x 25"
A	34 1/2"
B	24"
C	27 3/4"
D	3 3/4"
E	20"
F	12 3/4"

SPECIFICATIONS

Efficiency (gr./lb. @ min. lb. salt dose)

Hardness Capacity (gr. @ max. lb. salt dose)

Certified Flow Rate (gpm @ psi)

Intermittent Flow Rate (gpm @ psi)¹

Resin Bed (lbs.)

Maximum Water Hardness (grains per gallon)

Maximum Clear Water Iron (ppm-Fe)²

Approximate Water Used Each Regeneration (gal.)³

Salt Storage Capacity (lbs.)

Supply Water Pressure Limits (psi)⁴

Supply Water Temperature Limits (°F/°C)

Ambient Temperature Range (°F/°C)

Plumbing Connection (inches)

Electrical Requirement, 120V, 50/60Hz

300 Boost

3,970 @ 1.5

14,900 @ 8.3

6 @ 5.0

11 @ 15

27

29

4

17

55

20-125

40-120 / 4-49

35-150 / 2-66

1

¹Intermittent flow rate does not represent the maximum service flow rate used for determining the conditioner's rated capacity and efficiency. Continuous operation at flow rates greater than the certified flow rate may affect capacity and efficiency performance. The validity of these flow rates is verified by NSF. ²Increased amounts of clear water iron can reduce conditioner's efficiency. Refer to owner's manual for details. Wisconsin requires additional treatment if water supply contains greater than 5 ppm clear water iron. ³When operated at 35 psi water pressure. ⁴Maximum pressure for Canadian use is 7.0 Kg/cm².

Not available for sale in California.

WARRANTY

- For the lifetime of the original owner, the salt tank and mineral tank will not rust, corrode, leak, burst, or in any other manner fail to perform their proper functions.
- For a period of seven years, the electronic faceplate will be free of defects in materials and workmanship and will perform its normal function.
- For a period of five years, all other parts will be free of defects in materials and workmanship and will perform their normal functions.

ECOWATER
S Y S T E M S



Your Water. Perfected.



EcoWater Systems LLC
P.O. Box 64420
St. Paul, MN 55164-0420